



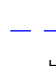


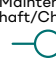


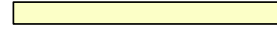







**Legend**

Drainage	 Pit	 Pit/Lintel
Electrical	 Lightpole	 Pillar
Communications	 Pit	
Water main	 Hydrant	 Stop Valve
Sewer line	 Maintenance Shaft/Chamber	 Rodding Point
Footpath	 Man Hole	

Filled area	
Denied access	
Retaining wall	
Easement	
Contour	 95.3
Surface level	 x 95.3

**Building And Design Information**

Fill	[ ✓ ]	Contour	[ ✓ ]
Lot Classification	----	Acoustic	----
Salinity	----	Aggressivity	----
BAL Rating	----		

\* Information not available at time of publication