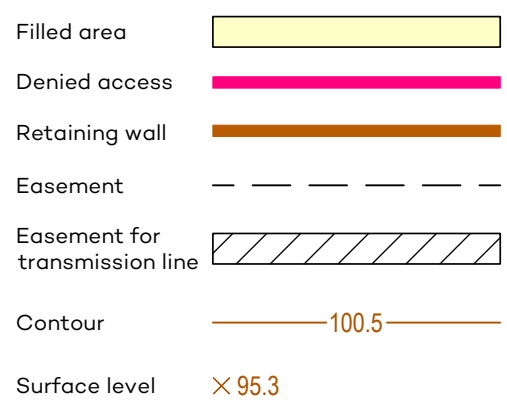
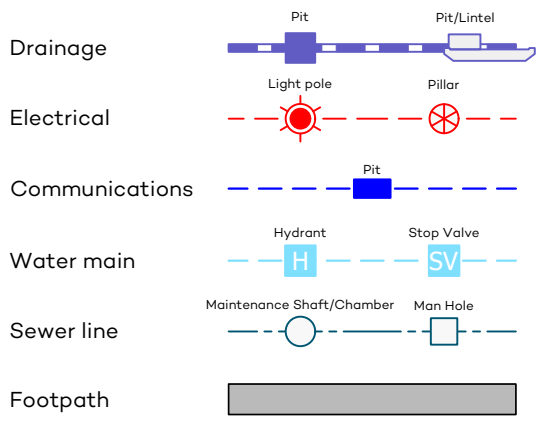


LEGEND



Building And Design Information

Lot Classification	*
Acoustic	*
Salinity	*
Agressivity	*
BAL Rating	*
DESIGN AS BUILT	
Fill	✓
Contour	✓

* Information not available at time of publication
NOTE: SERVICES AND RESTRICTIONS SHOWN ON THIS LEGEND
MAY NOT BE APPLICABLE TO THIS LOT
DRAWING REFERENCE: 10202T41(DA3)-LOT 3198
DATE: 21 December 2023