









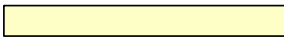


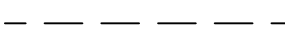
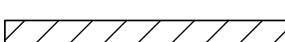




**LEGEND**

Drainage	 
Electrical	 
Communications	
Water main	 
Sewer line	 
Footpath	

Filled area	
Denied access	
Retaining wall	
Easement	
Easement for transmission line	
Contour	
Surface level	

**Building And Design Information**

Lot Classification	*
Acoustic	*
Salinity	*
Agressivity	*
BAL Rating	*
	DESIGN AS BUILT
Fill	✓
Contour	✓

\* Information not available at time of publication  
NOTE: SERVICES AND RESTRICTIONS SHOWN ON THIS LEGEND  
MAY NOT BE APPLICABLE TO THIS LOT  
DRAWING REFERENCE: 10202T41(DA3)-LOT 3137  
DATE: 21 December 2023