





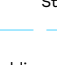




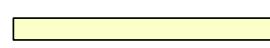



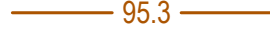



Legend

Drainage	 Pit  Pit/Lintel
Electrical	 Lightpole  Pillar
Communications	 Pit
Water main	 Hydrant  Stop Valve
Sewer line	 Maintenance Shaft/Chamber  Rodding Point  Man Hole
Footpath	

Filled area	
Denied access	
Retaining wall	
Easement	
Contour	 95.3
Surface level	 x 95.3

Building And Design Information

Fill	[✓]	Contour	[✓]
Lot Classification	----	Acoustic	----
Salinity	----	Aggressivity	----
BAL Rating	----		

* Information not available at time of publication