









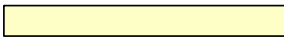


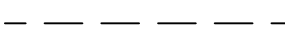
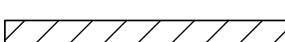




**LEGEND**

Drainage	 Pit	 Pit/Lintel
Electrical	 Light pole	 Pillar
Communications	 Pit	
Water main	 Hydrant	 Stop Valve
Sewer line	 Maintenance Shaft/Chamber	 Man Hole
Footpath		

Filled area	
Denied access	
Retaining wall	
Easement	
Easement for transmission line	
Contour	 100.5
Surface level	 95.3

**Building And Design Information**

Lot Classification	*
Acoustic	*
Salinity	*
Agressivity	*
BAL Rating	*
	<b>DESIGN AS BUILT</b>
Fill	✓
Contour	✓

\* Information not available at time of publication  
NOTE: SERVICES AND RESTRICTIONS SHOWN ON THIS LEGEND  
MAY NOT BE APPLICABLE TO THIS LOT  
DRAWING REFERENCE: 10202T41(DA3)-LOT 3119  
DATE: 21 December 2023