



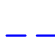


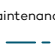


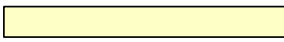


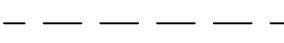
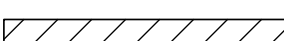




LEGEND

| | |
|----------------|---|
| Drainage |   |
| Electrical |   |
| Communications |  |
| Water main |   |
| Sewer line |   |
| Footpath |  |

| | |
|--------------------------------|---|
| Filled area |  |
| Denied access |  |
| Retaining wall |  |
| Easement |  |
| Easement for transmission line |  |
| Contour |  |
| Surface level |  |

Building And Design Information

| | |
|--------------------|-----------------|
| Lot Classification | * |
| Acoustic | * |
| Salinity | * |
| Agressivity | * |
| BAL Rating | * |
| | DESIGN AS BUILT |
| Fill | ✓ |
| Contour | ✓ |

* Information not available at time of publication
NOTE: SERVICES AND RESTRICTIONS SHOWN ON THIS LEGEND
MAY NOT BE APPLICABLE TO THIS LOT
DRAWING REFERENCE: 10202T41(DA3)-LOT 3145
DATE: 21 December 2023