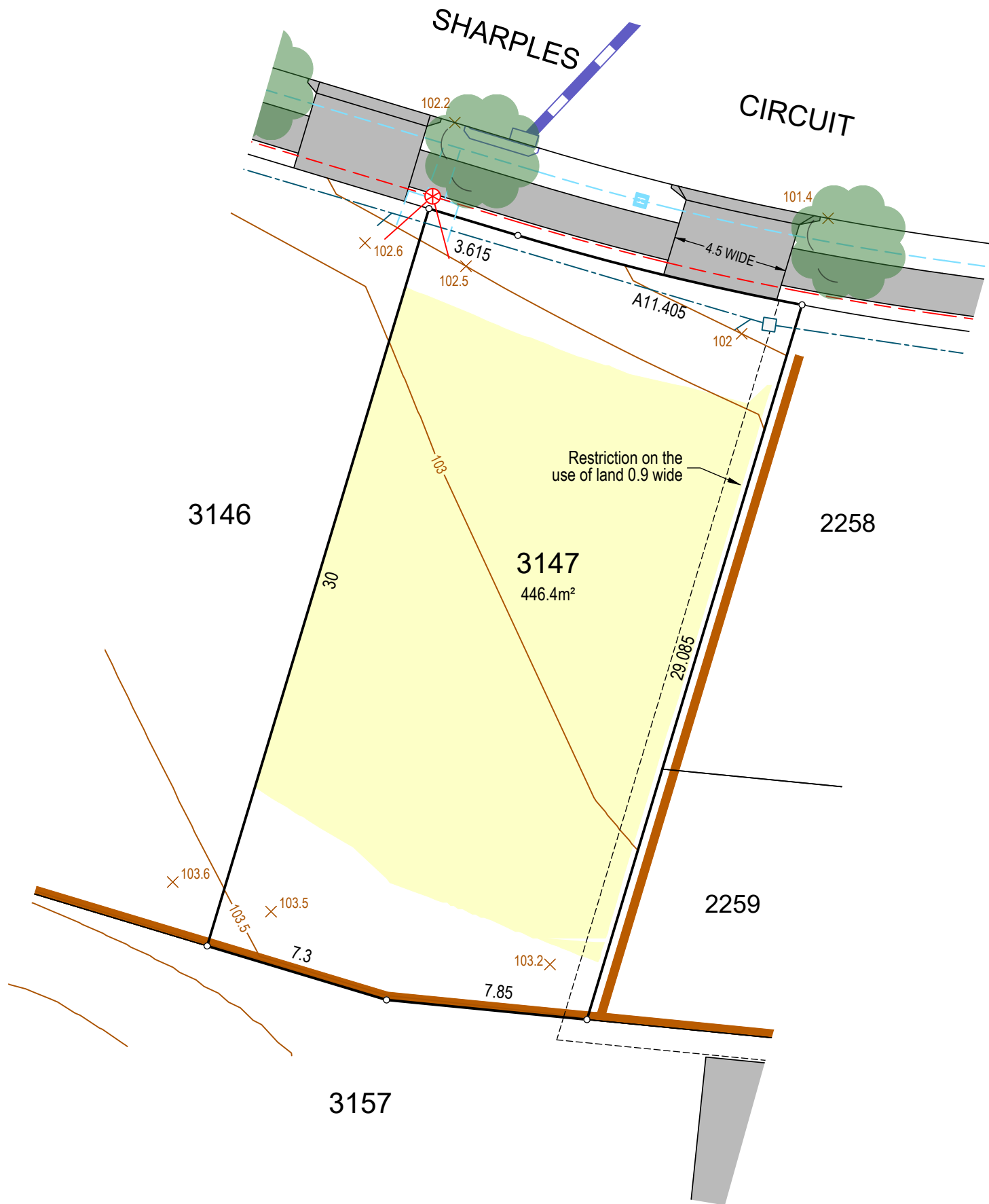
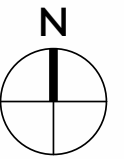




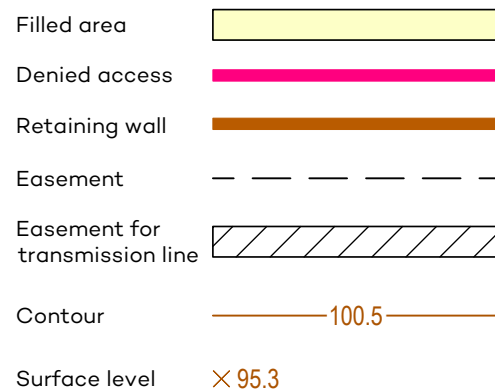
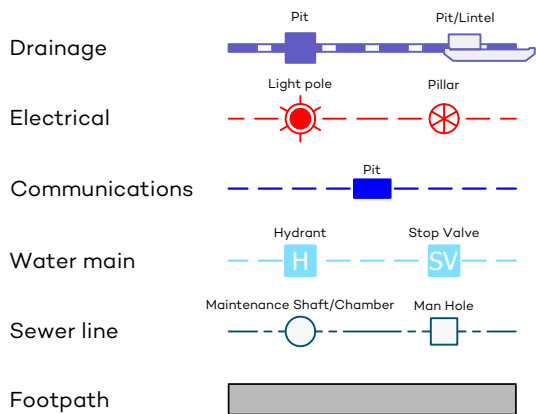
ORAN PARK

COMMUNICATIONS
DESIGN NOT AVAILABLE
AT TIME OF PUBLICATION

Tranche 41 DA3
Lot 3147
Lot 3147



LEGEND



Building And Design Information

Lot Classification	*
Acoustic	*
Salinity	*
Agressivity	*
BAL Rating	*
	DESIGN AS BUILT
Fill	✓
Contour	✓

* Information not available at time of publication
 NOTE: SERVICES AND RESTRICTIONS SHOWN ON THIS LEGEND
 MAY NOT BE APPLICABLE TO THIS LOT
 DRAWING REFERENCE: 10202T41(DA3)-LOT 3147
 DATE: 21 December 2023

It is acknowledged that the dimensions and areas, as well as location of services and the existence and width of easements are subject to change in accordance with the requirements of any relevant Authority. The particulars of this brochure are supplied for information only representing the facts at the time of publication and may change. The particulars shall not be taken as a representation in any respect on the part of the Vendor or its Agent. Authorities should be consulted in relation to any limitations or requirements as building restrictions may apply.

